



Bandveyor Conveyor

With Alluserv you are not just buying a product. You are receiving our team's service commitment to get the most value from your investment in our products. We will provide you with:

- A team of knowledgeable experts with over 100 years of combined experience to help you understand and receive the most from your product throughout its service life
- Detailed instructions and specification on cleaning and application to best maintain your equipment
- A national service network and service manuals for our extensive product offering.

BANDVEYOR CONVEYOR

APPLICATION

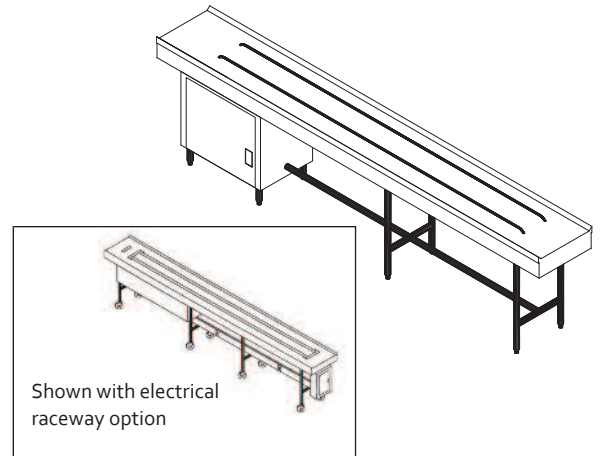
The Straight-line Band Belt Motorized Conveyor is designed for tray make-up in healthcare operations. Mobile or stationary, these units are designed for easy cleaning and long life. Since these units are built to customer specifications, some units may not be available in mobile configuration. Please consult factory.

CONSTRUCTION

Drive housing is 18-gauge stainless steel with 2"x2"x3/16" stainless steel with all welded angle and channel framework. Removable panels are provided for easy access. Drive is a totally enclosed fan cooled D.C. permanent magnet motor through worm gear speed reducer, sprockets, and roller chain. Automatic belt tensioning device is provided to maintain tracking. Rollers are crowned to assure proper tracking. Conveyor is furnished with side belt guides to also assist in belt tracking. Motor controlled with SCR power transmission group. SCR main control panel, located on drive end of conveyor, has speed control station with stop-start controls. SCR system includes dynamic braking. All controls are NEMA 4 watertight. Shafting is solid stainless steel with stainless steel sprockets. Bearings are self-aligning ball bearings sealed for life. Belt speed is electronically adjustable with speeds ranging from approximately 0 to 40 feet per minute to help your labor force during busy times. Dual ½" diameter urethane belts are FDA approved. Variable speeds provide for high volume locations and times. Die-formed inverted edge on long sides and straight down on the ends. Belt terminates at drive end to provide flat top space for one tray and to ensure a smooth transition from belt to the landing. Supports are 1-5/8" (4cm) O.D. 16-gauge stainless steel tubing "H" frames on 6' to 7' centers for ample support. Interconnecting cross rails are required. The Intermediate section is 1.5"x1.5"x 12-gauge stainless steel angle frame. 2" O.D. PVC bearing supported stainless steel shaft mounted idler roller on 48" (122cm) centers. Exposed sides are fitted with removable stainless steel panels. The tail sections consists of a stainless steel framework which houses tail roller and bracket guides. Stainless steel panels conceal frame where exposed. Conveyor will stop as tray reaches the check point and will automatically restart when tray is removed to assure no trays are lost during loading period.

Model Numbers:

**BBC10, BBC12, BBC14, BBC16,
BBC18, BBC20**



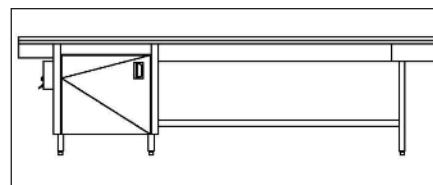
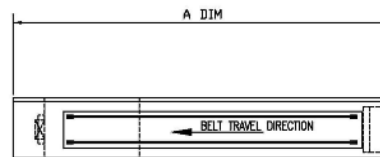
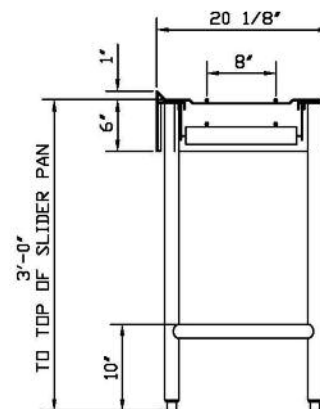
Bandveyor Conveyor

Options

- Electric Raceways – All units can be equipped with electric raceways for your electrical convenience.
- Outlets – Allows you to plug in all support equipment. No more drop cords. Single or three phase outlets are available in either straight blade or twist lock.
- Field Joint – Allows longer conveyors to be shipped and maneuvered to location in smaller sections.
- Movable Over Shelf – This option gives extra surface area and easy access for dietary meal kits and other tray requirements.
- Casters – These conveyors come standard with adjustable bullet feet. Casters can be added if electrical loads permit.
- Cord & Plug – Conveyors are constructed for hard wiring as standard, requiring electrical service at location. Ground receptacle required for this option. This option is available on any unit with electric amp load of 100 or less.
- Wash System – The system is detergent injected and contains stainless steel drip pans for easy cleaning

Warranty

- Two years parts and one year labor



DIMENSIONS

MODEL	A DIM	WIDTH	CASE WEIGHT
BBC10	10 ft.	20-1/8"	740 lbs
BBC12	12 ft.	20-1/8"	800 lbs
BBC14	14 ft.	20-1/8"	860 lbs
BBC16	16 ft.	20-1/8"	920 lbs
BBC18	18 ft.	20-1/8"	980 lbs
BBC20	20 ft.	20-1/8"	1040 lbs

