



Combination Base and Plate Heater

**Model Numbers:
CBPH**

With Alluserv you are not just buying a product. You are receiving our team's service commitment to get the most value from your investment in our products. We will provide you with:

- A team of knowledgeable experts with over 100 years of combined experience to help you understand and receive the most from your product throughout its service life
- Detailed instructions and specification on cleaning and application to best maintain your equipment
- A national service network and service manuals for our extensive product offering.



COMBINATION BASE AND PLATE HEATER

APPLICATION

The convection base & plate heater dispenser is ideal for situations where space is an issue.

CONSTRUCTION

The cabinet exterior is constructed of 18-gauge 300 series stainless steel. The inner wall of the cabinet is constructed of .063 high strength aluminum. All sides and top of cabinet are insulated with fiberglass insulation for heat retention to conserve energy. This unit comes with an insulated wall between the base section and the plate section for controlled heating. The unique lid design does not require gaskets, no gasket replacements needed. A 1" diameter stainless steel push handle allows easy maneuvering.

Each dispenser is constructed of all stainless steel with an individually removable dispensing mechanism for easy adjustment and cleaning. Each dispenser is self adjustable by means of springs. Unique self lubricating bearings ride over vertical guide rods to assure balanced dispensing. Models accommodate bases or plates ranging from 7" to 10-1/4". Each compartment is clearly labeled for Pellets or Bases.

CASTERS

The unit is mounted on four 5" diameter swivel casters with non-marking cushion tread, two with swivel-lock and wheel brakes.

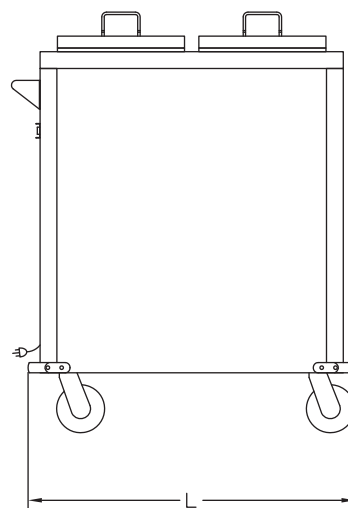
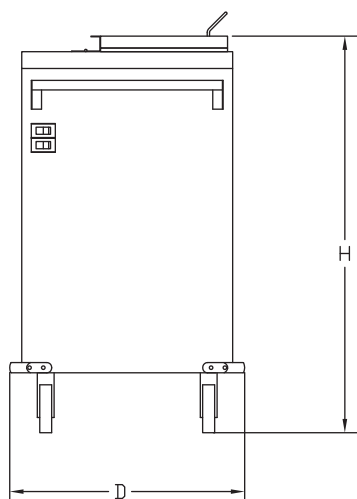
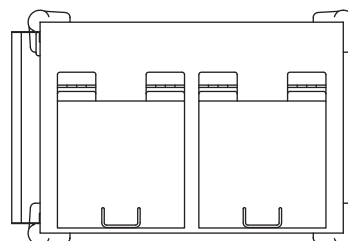
ELECTRICAL

This unit electrical specifications are 208/220 volt, 60 Hz, single phase supplied through a six foot grounded 20 amp power cord with a NEMA 6-20P plug. This unit has separate thermostatically controlled-forced air heating systems for each dispenser. Each section has a 1600 watt heating element with a total of 3200 watt per unit.

Warranty

- Two years parts and one year labor

Combination Base and Plate Heater



DIMENSIONS

| MODEL | THERMOSTAT RANGE | | ELECTRICAL SPECIFICATIONS | | | OVERALL SIZE | | | CASE WEIGHT | CASE CUBE |
|-------|------------------|---------------|---------------------------|------|------------------|--------------|-----|---------|-------------|--------------|
| | BASE | PLATE | WATT | AMP | VOLT | D | L | H | | |
| CBPH | 310°F | 175° to 215°F | 3200 | 17.2 | 208/240 60 Hz | 24" | 36" | 42-3/4" | 285 lbs | 32.7 cu. ft. |



901 West 14th Street | Suite 200 | Washington, MO | 63090 | toll free 888-892-2213 | fax 636-239-8435 | alluserv.com