



Convection Plate Heater

**Model Numbers:
CPH2, CPH3**

With Alluserv you are not just buying a product. You are receiving our team's service commitment to get the most value from your investment in our products. We will provide you with:

- A team of knowledgeable experts with over 100 years of combined experience to help you understand and receive the most from your product throughout its service life
- Detailed instructions and specification on cleaning and application to best maintain your equipment
- A national service network and service manuals for our extensive product offering.

CONVECTION PLATE HEATER

APPLICATION

The convected air heated plate dispenser is ideal for any situation that requires a hot plate. Fast even heating ensures that all plates are the same temperature.

CONSTRUCTION

The cabinet exterior is constructed of 18-gauge 300 series stainless steel. The inner wall of the cabinet is constructed of .063" high strength aluminum. All sides and top of cabinet are insulated with fiberglass insulation for heat retention to conserve energy. The unique lid design does not require gaskets, no gasket replacements needed. A 1" diameter stainless steel push handle allows easy maneuvering. Each dispenser is constructed of all stainless steel with an individually removable dispensing mechanism for easy adjustment and cleaning. Each dispenser is self adjustable by means of springs. Unique self lubricating bearings ride over vertical guide rods to assure balanced dispensing. Models accommodate plates ranging from 7" to 10-1/4". The unit is mounted on four 5" diameter swivel casters with non-marking cushion tread, two with brakes.



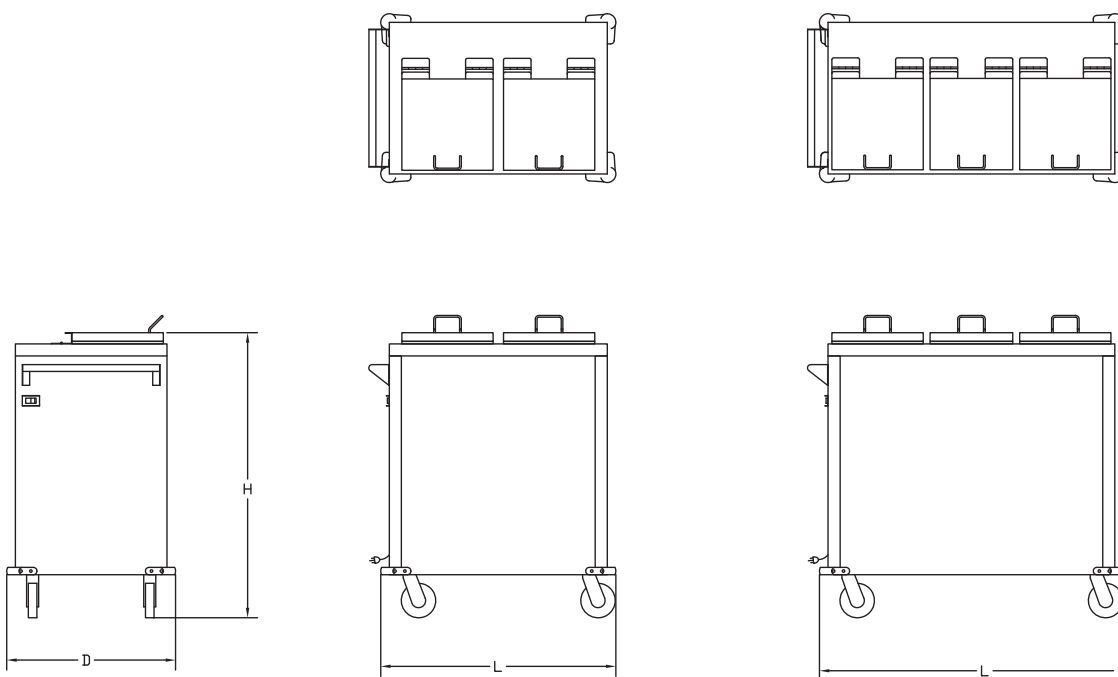
ELECTRICAL

This unit electrical specifications are 208/220 volt, 60 Hz, single phase supplied through a six foot grounded 20 amp power cord with a NEMA 6-20P plug. The heating system is a thermostatically controlled-forced air system with a 3200 watt heating element, equipped with automatic hi-temp shut off for your safety.

Warranty

- Two years parts and one year labor

Convection Plate Heater



DIMENSIONS

MODEL	THERMOSTAT RANGE	ELECTRICAL SPECIFICATIONS			OVERALL SIZE			CASE WEIGHT	CASE CUBE
		WATT	AMP	VOLT	D	L	H		
CPH2	175° to 215°	3200	16.3	208/240 60 Hz	23-3/4"	33-3/8"	42-3/4"	270 lbs	24.0 cu. ft.
CPH3	175° to 215°	3200	16.3	208/240 60 Hz	23-3/4"	43-7/16"	42-3/4"	335 lbs	31.1 cu. ft.



901 West 14th Street | Suite 200 | Washington, MO | 63090 | toll free 888-892-2213 | fax 636-239-8435 | alluserv.com