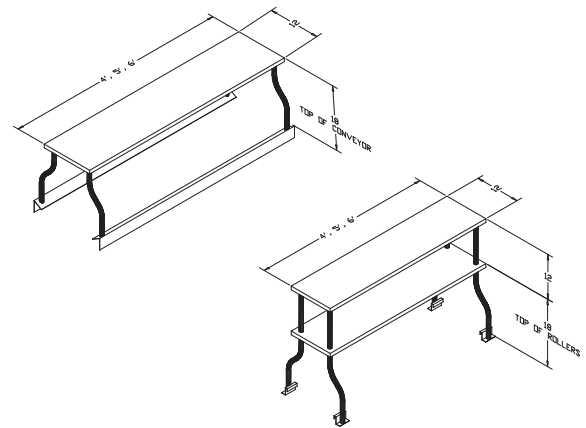


Conveyor Overhead Shelf

With Alluserv you are not just buying a product. You are receiving our team's service commitment to get the most value from your investment in our products. We will provide you with:

- A team of knowledgeable experts with over 100 years of combined experience to help you understand and receive the most from your product throughout its service life
- Detailed instructions and specification on cleaning and application to best maintain your equipment
- A national service network and service manuals for our extensive product offering.

**Model Numbers:
MOSH 10, MOSH 12, MOSH 14,
MOSH 16, MOSH 18, MOSH 20**



CONVEYOR OVERHEAD SHELF

NOTE TO CUSTOMER

When ordering specify the type of conveyor the shelf is to be used with. If shelf is to be used on an existing conveyor, specify size and type of edge the stainless steel feet will be adapting to.

Warranty

- Two year parts and one year labor

DIMENSIONS

MODEL	LENGTH
MOSH 10	10 ft.
MOSH 12	12 ft.
MOSH 14	14 ft.
MOSH 16	16 ft.
MOSH 18	18 ft.
MOSH 20	20 ft.