



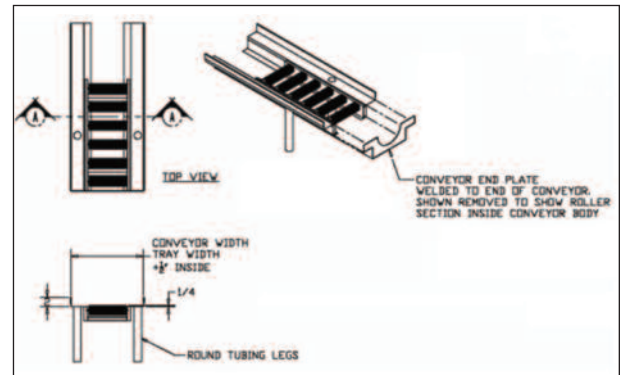
# Removable Sections

With Alluserv you are not just buying a product. You are receiving our team's service commitment to get the most value from your investment in our products. We will provide you with:

- A team of knowledgeable experts with over 100 years of combined experience to help you understand and receive the most from your product throughout its service life
- Detailed instructions and specification on cleaning and application to best maintain your equipment
- A national service network and service manuals for our extensive product offering.

Model Numbers:

RCS04, RCS05, RCS06, RCS07, RCS08, RCS09, RCS10, RCS12, RCS14, RCS16, RCS18, RCS20



## REMOVABLE SECTIONS

### Warranty

- Two year parts and one year labor

## DIMENSIONS

MODEL	LENGTH
RCS04	4 ft.
RCS05	5 ft.
RCS06	6 ft.
RCS07	7 ft.
RCS08	8 ft.
RCS09	9 ft.

MODEL	LENGTH
RCS10	10 ft.
RCS12	12 ft.
RCS14	14 ft.
RCS16	16 ft.
RCS18	18 ft.
RCS20	20 ft.